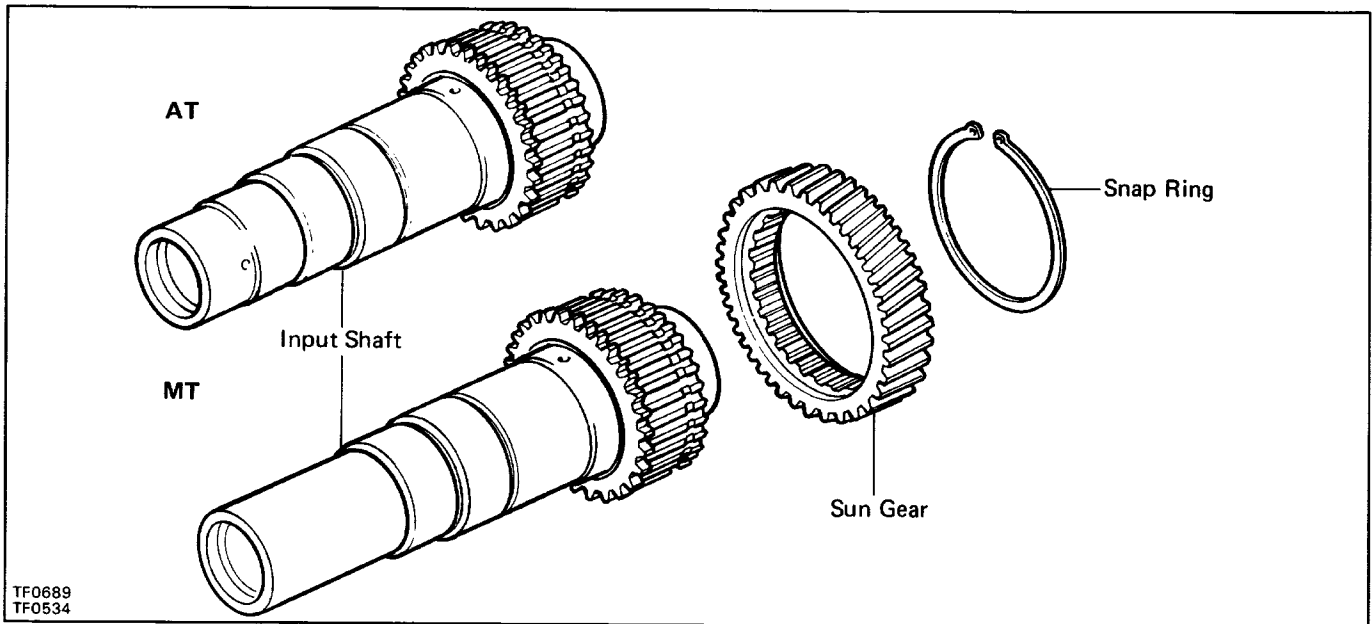
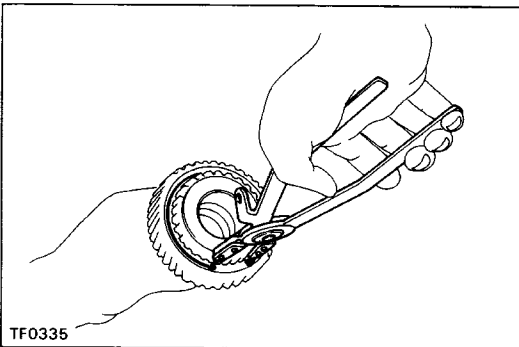


# Input Shaft COMPONENTS

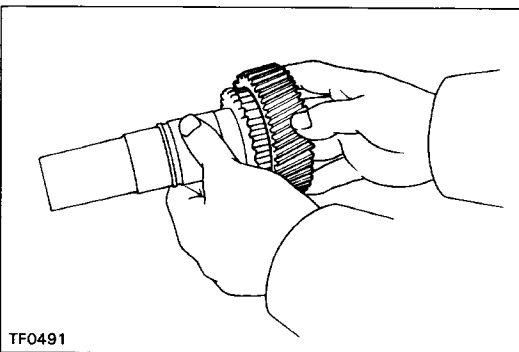


## DISASSEMBLY OF INPUT SHAFT REMOVE SUN GEAR

(a) Using snap ring pliers, remove the snap ring.



(b) Remove the sun gear from the input shaft.

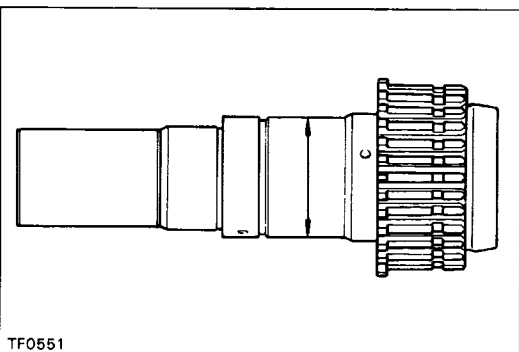


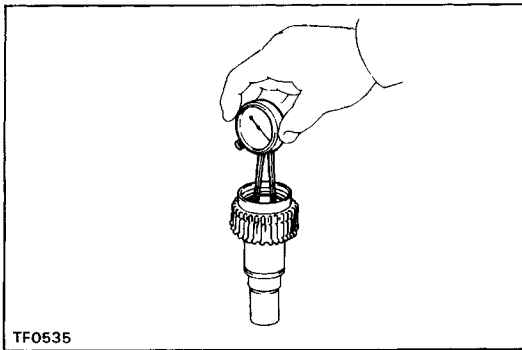
## INSPECTION OF INPUT SHAFT

### 1. INSPECT INPUT SHAFT

(a) Using a micrometer, measure the outer diameter of the input shaft journal surface.

**Minimum diameter: 47.59 mm (1.8736 in.)**

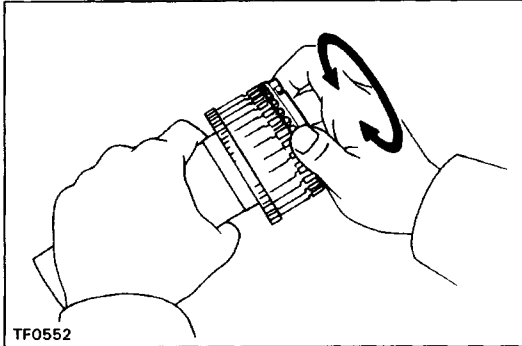




(b) Using a dial indicator, measure the inside diameter of the input shaft bushing.

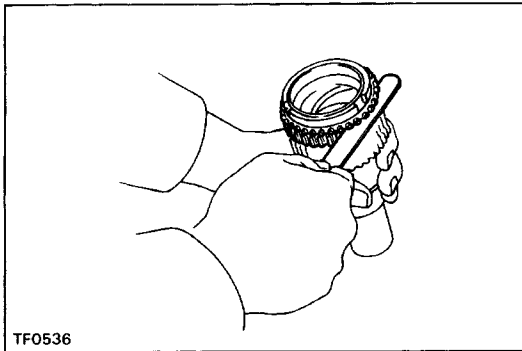
**Maximum inside diameter: 39.14 mm (1.5409 in.)**

If the inside diameter exceeds the limit, replace the input shaft.



## 2. INSPECT SYNCHRONIZER RING

(a) Turn the ring and push it in to check the braking action.



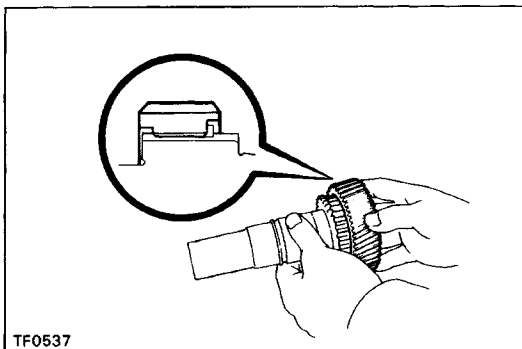
(b) Measure the clearance between the synchronizer ring back and the input shaft spline end.

**Standard clearance: 1.15 – 1.85 mm**

**(0.0453 – 0.0728 in.)**

**Minimum clearance: 0.8 mm (0.031 in.)**

If the clearance is less than the limit, replace the synchronizer ring.

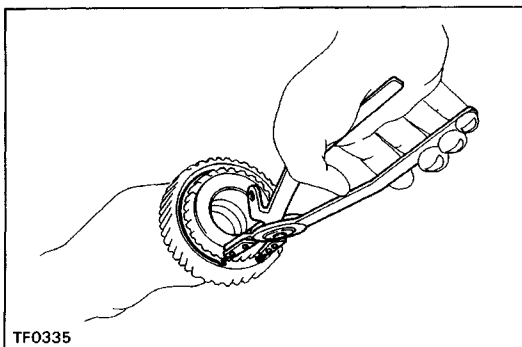


## ASSEMBLY OF INPUT SHAFT

### INSTALL SUN GEAR

(a) Install the sun gear to the input shaft.

HINT: Make sure to install the sun gear in the correct direction.



(b) Using snap ring pliers, install the snap ring.