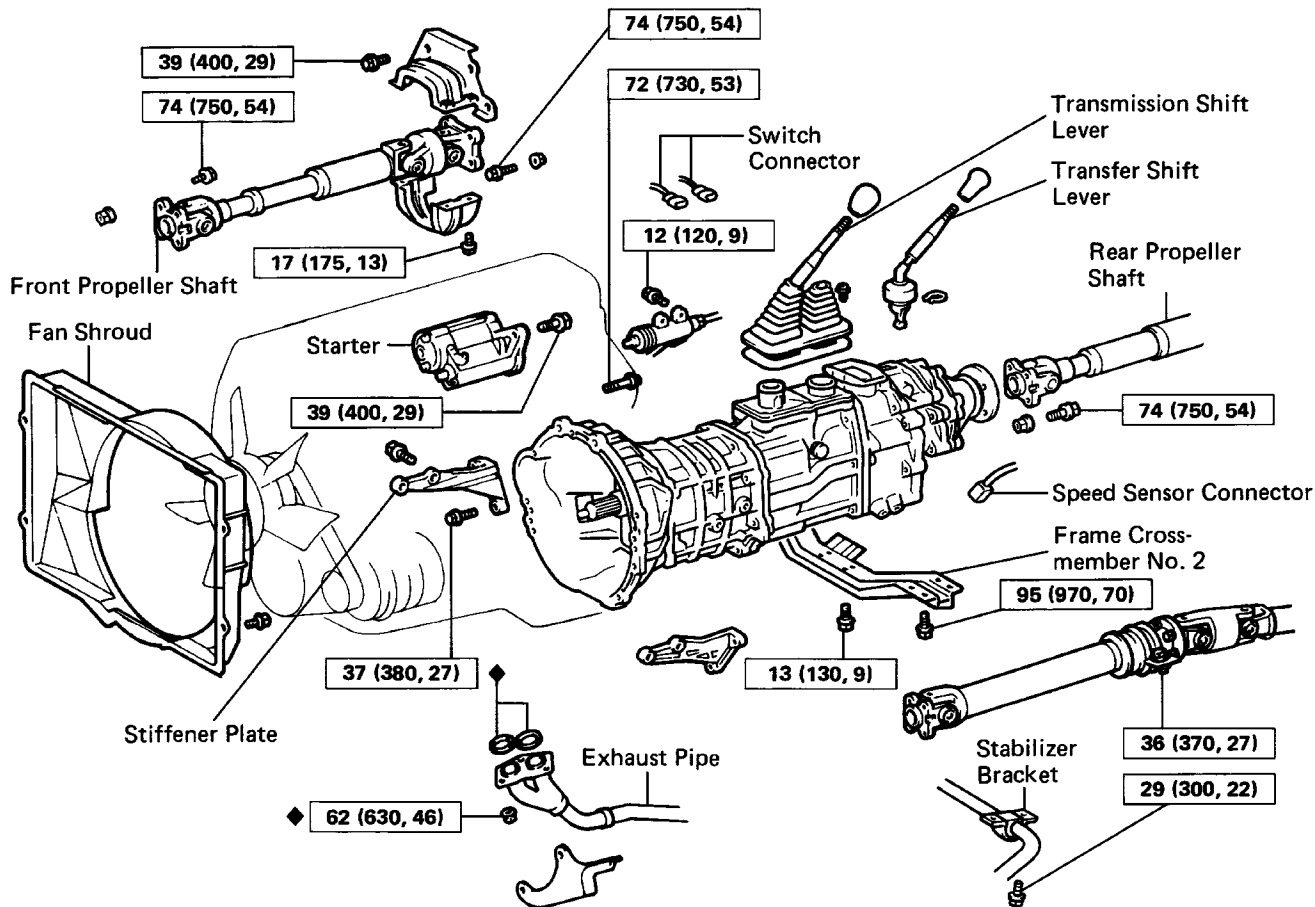


# REMOVAL AND INSTALLATION OF TRANSMISSION WITH TRANSFER (4WD)

## REMOVAL AND INSTALLATION OF TRANSMISSION WITH TRANSFER

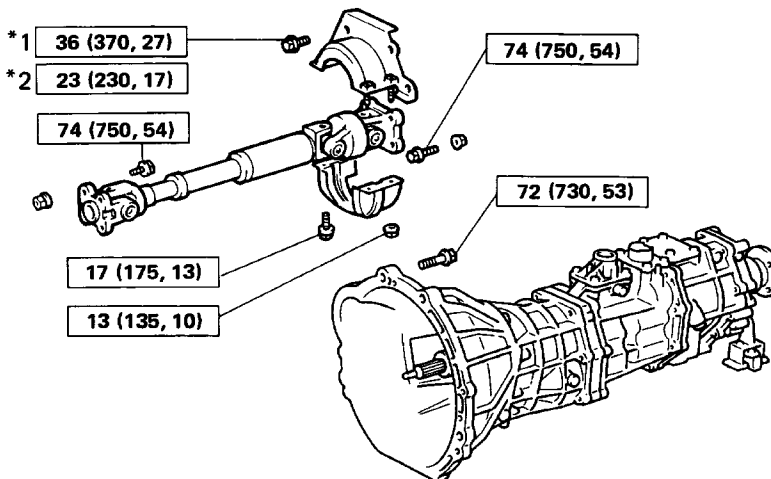
Remove and install the parts as shown.

### [22R-E] W56 Transmission and Counter Gear Type Transfer



### G58 Transmission and Planetary Gear Type Transfer

\*1 To transfer  
\*2 To bracket



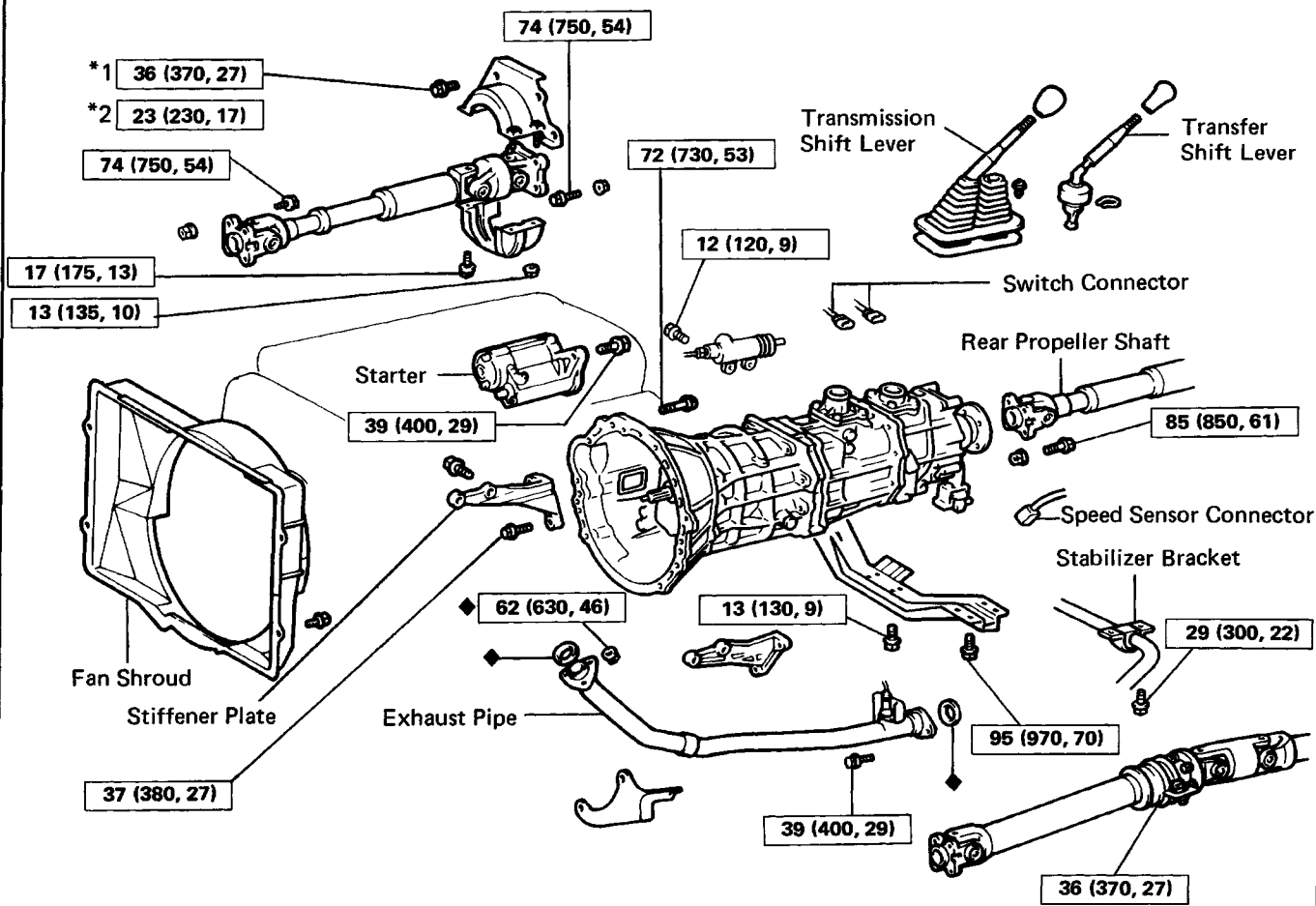
**N·m (kgf·cm, ft·lbf)** : Specified torque

◆ Non-reusable part

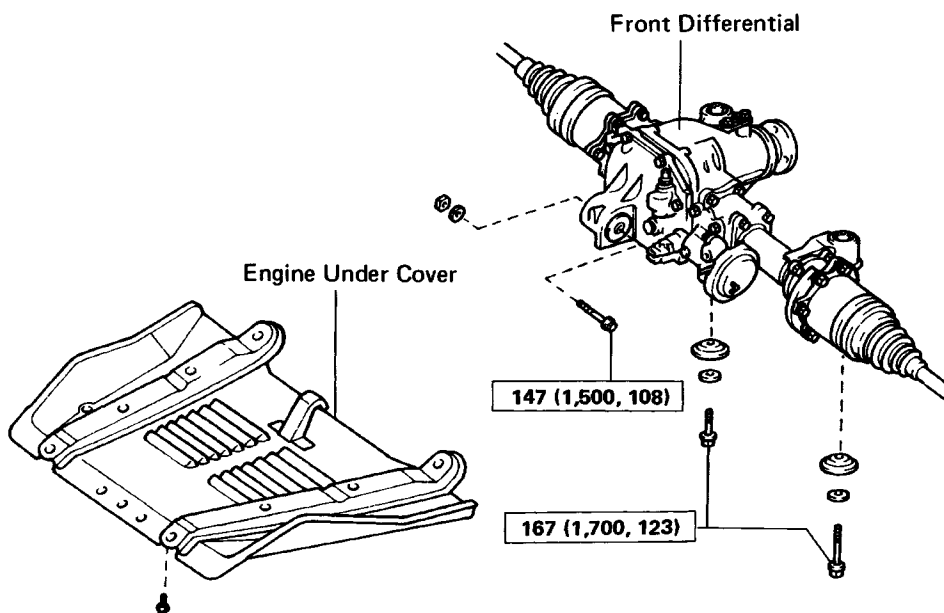
# REMOVAL AND INSTALLATION OF TRANSMISSION WITH TRANSFER (Cont'd)

Remove and install the parts as shown.

[3VZ-E] R150F Transmission and Planetary Gear Type Transfer



\*1 To transfer  
\*2 To bracket



N·m (kgf·cm, ft·lbf) : Specified torque

◆ Non-reusable part