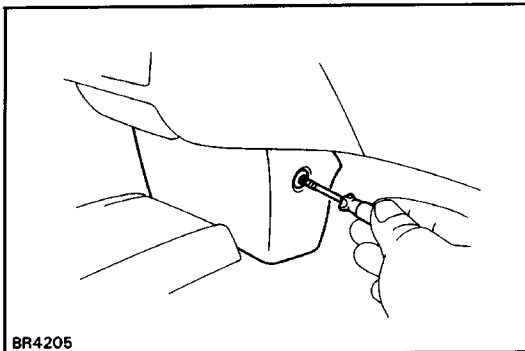
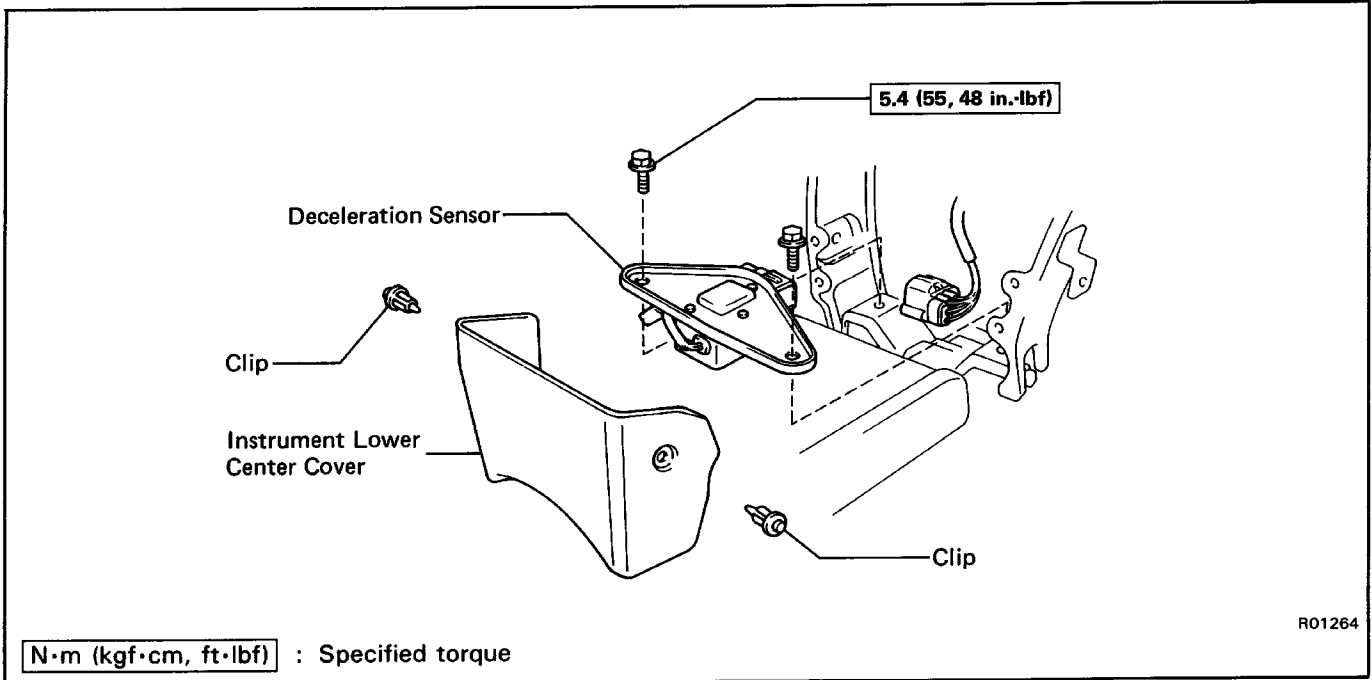


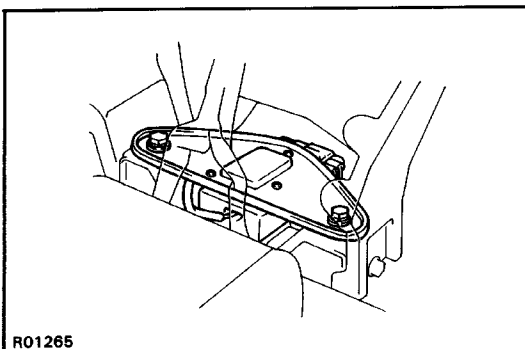
Deceleration Sensor



INSPECTION OF DECELERATION SENSOR

INSPECT SENSOR INSTALLATION

(a) Remove the two clips, then remove the instrument lower center cover.

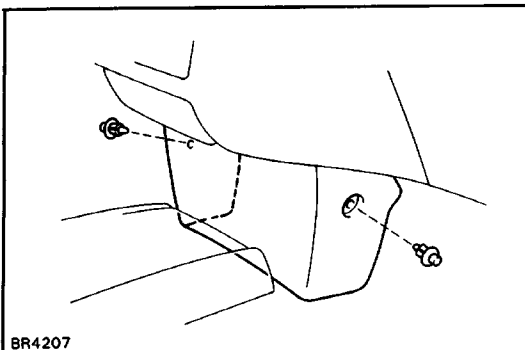


(b) Inspect that the sensor direction is correct.

(c) Check that the sensor installation bolts are tightened properly.

If not, tighten the bolts.

Torque: 5.4 N·m (55 kgf·cm, 48 in.-lbf)



(d) Install the instrument lower center cover and two clips.